



# SPECIFICATION SHEET

Model #:	_____	Qty:	_____
Project #:	_____		
Consultant:	_____		

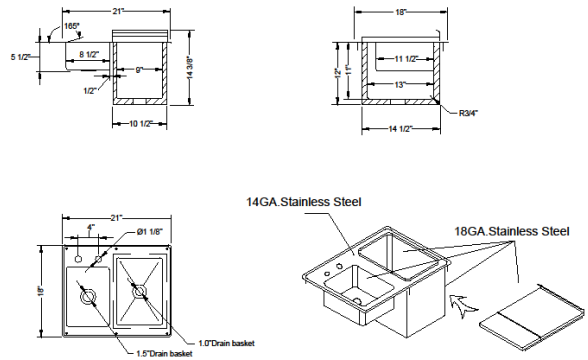
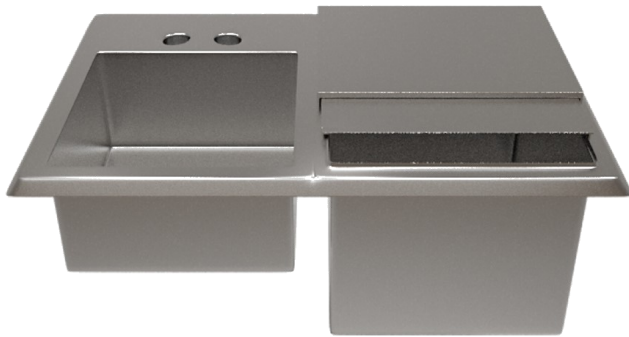
QUALITY FOOD SERVICE EQUIPMENT

## ICE & WATER UNIT



## DIMENSIONS

drop-in - left water station



## MATERIAL

- ◆ 14GA 300 stainless steel top

## FEATURES

- ◆ 10" deep insulated ice bin
- ◆ Removable sliding lid
- ◆ Includes drains
- ◆ Removable water sink grate

Model#	Length	Width	Cutout Recommended
DIB-2-2118	21"	18"	20-1/4"X17-1/4"